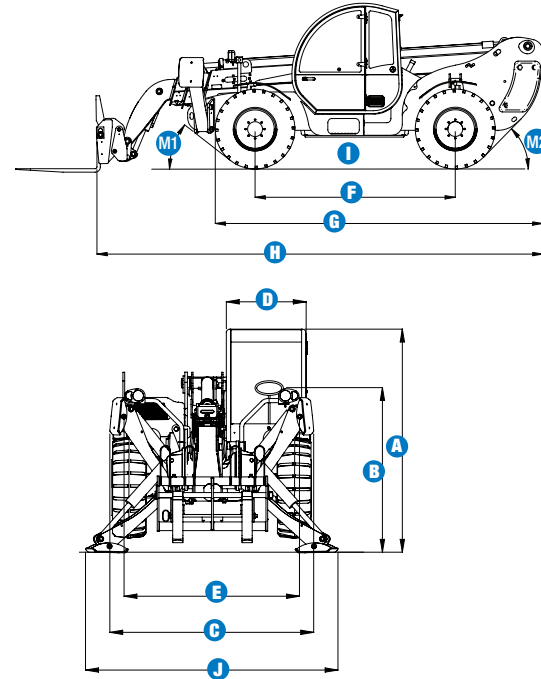


Specifications

MODEL		GTH™-4017 SX	
MEASUREMENTS	Metric	Imperial	
Lifting height maximum with stabilisers	17.19 m	56 ft 5 in	
Lifting height maximum without stabilisers	16.72 m	54 ft 10 in	
Lifting capacity maximum	4,000 kg	8,818 lbs	
Lift capacity at maximum height	2,000 kg	4,409 lbs	
Lift capacity at maximum reach	700 kg	1,543 lbs	
Forward reach maximum	13.33 m	43 ft 9 in	
Reach at maximum height	2.50 m	8 ft 2 in	
A Height	2.44 m	8 ft	
B Height at steering wheel	1.60 m	5 ft 3 in	
C Width	2.32 m	7 ft 7 in	
D Cab width	93 cm	3 ft	
E Track	1.92 m	6 ft 4 in	
F Wheelbase	2.95 m	9 ft 8 in	
G Length at front wheels	4.83 m	15 ft 10 in	
H Length at fork-holder plate	6.57 m	21 ft 7 in	
I Ground clearance	43 cm	1 ft 5 in	
J Overall width, stabilisers extended	2.89 m	9 ft 6 in	
M1 Obstruction angle	40°	40°	
M2 Departure angle	46°	46°	



PRODUCTIVITY		
Inside/outside turning radius	2.42 m/4.65 m	8 ft 1 in/15 ft 3 in
Break out force (with 800L shovel SAE J 732/80)	6,000 kg	13,228 lbs
Towing capacity at dynamometer*/**	3,590 kg/4,105 kg	7,914 lbs/9,050 lbs
Drive speed max.	28 km/h	17 mph
Fork-holder plate rotation	138°	138°
Chassis levelling on the front axle	+/- 7°	+/- 7°
Floating forks	L 1200 mm Section 120 x 50 mm	L 3 ft 11 in Section 5 in x 2 in
Tyres (DIN 70361)	405/70-24" PR14 8 holes wheel disc	
Lifting/lowering speed**	13 sec./8 sec.	13 sec./8 sec.
Extension/retraction speed**	22 sec./13 sec.	22 sec./13 sec.

POWER		
Engine	Perkins 1104 D-44T 4-cylinder Turbo Diesel 74 kW (99 hp), Tier 3	
Tank capacities		
Fuel	135 L	30 gal
Engine oil	7 L	1.5 gal
Hydraulic oil	150 L	33 gal

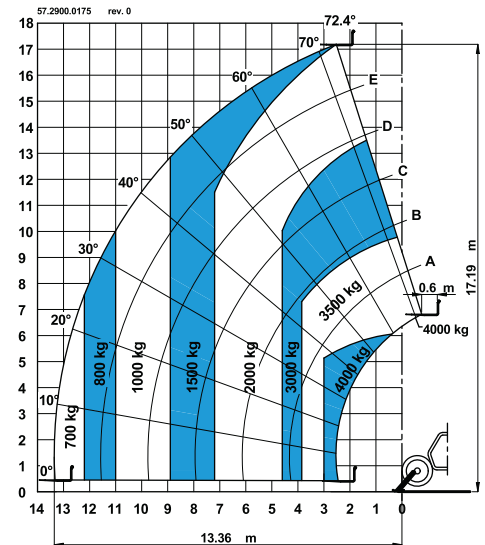
SOUND LEVEL		
Sound pressure level (operator position)	83 dB (LpA)	83 dB (LpA)
Guaranteed sound power level	103 dB (LwA)	103 dB (LwA)

VIBRATION LEVEL		
Vibration level hand-arm system	<2.5 m/s ²	<8 ft 2 in/s ²
Vibration level whole body	0.23 m/s ²	9 in/s ²

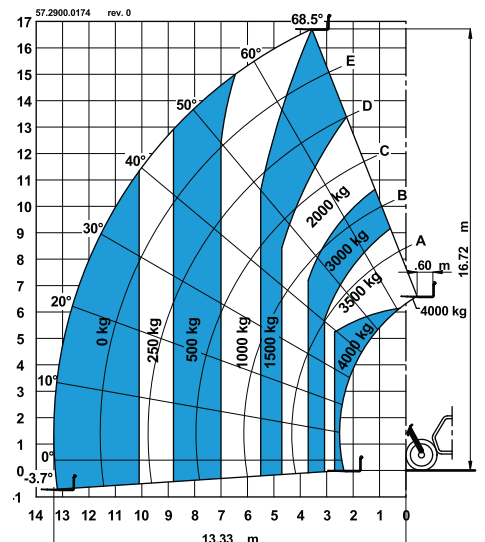
WEIGHT		
Weight***	11,650 kg	25,683 lbs

STANDARDS COMPLIANCE	
EU Machinery Directive 2006/42/EC	
Operating cab conforms to ISO3471 (ROPS) and ISO3449 (FOPS)	
Low emission engine conforms to EU Directive 97/68/EC stage III	
2000/14/EC EU Directive (noise)	

*Max. load, **Without load
 *** Weight will vary depending on options and/or country standards
www.genieindustries.com



Lift capacity chart (with stabilisers)



Lift capacity chart (without stabilisers)

Features

STANDARD FEATURES

MEASUREMENTS

- 4,000 kg (8,818 lbs) maximum lift capacity
- 17.19 m (56 ft 5 in) maximum lift height
- 13.33 m (43 ft 9 in) maximum forward reach

PRODUCTIVITY

- 4 x 4
- 4 - wheel steer
- 3 steering modes:
 - front wheel steer
 - crab steer
 - coordinated steer
- Hydraulic line on boom
- Power assisted steering
- Front stabilisers
- Hydrostatic transmission with variable displacement pump and motor
- Mechanical 3x1 joystick
- Limited slip differential on front axle
- Chassis levelling on front axle +/- 6°
- Floating forks
- Attachment holder plate with mechanical coupling
- Two-section door (glass upper/steel lower)
- Angle and length indicators on boom correspond to load charts
- Adjustable suspended seat with operator detection seat switch
- Battery disconnection switch
- Large diameter steering wheel
- Front & rear windscreen wipers
- Sunshield
- Roof protection grid
- Two side rear view mirrors
- Front & rear lights
- Side mounted engine for easy access to components
- Oil immersed, multi-disc brakes on rear axle
- Lockable fuel tank
- Longitudinal stability control system :
 - Load moment indicator with LEDs
 - Audible alarm
 - Automatic lock-out of boom extension and lowering
 - Automatic lock-out of stabilisers
 - Automatic lock-out of rear axle
- Maintenance collar
- Hydraulic inching
- Road/Jobsite switch

POWER

- Perkins turbo diesel 99 hp (74 kW), Tier 3

TYRES

- 405/70-24" PR14. 8 holes wheel disc (DIN 70361)



OPTIONS & ACCESSORIES

PRODUCTIVITY

- Air conditioning
- Second hydraulic line on boom + electric line on boom
- Hydraulic quick coupling for attachments
- Concrete mixing bucket pre-arrangement
- Hydraulic Jib / Winch pre-arrangement on boom
- Windshield protection grid
- Adjustable spotlight on boom including cable reel and cable bracket
- Adjustable spotlight on cab
- Fish eye rear view mirror in the back
- Wiper on cab roof
- Rear wheels alignment sensor
- Biodegradable naturelle HF-E Shell oil
- 6-ton towing hitch
- Hydraulic parking brake kit

ATTACHMENT OPTIONS

- Spare wheel 405/70-24" PR14
- Loading shovel 800 L
- Concrete bucket 500/800 L manual/hydraulic discharge
- Concrete mixing bucket 500 L with remote control
- Brick-holder basket
- 10-ton hydraulic jack and 24 mm wheel nut wrench
- FEM 3 plate and forks kit
- Fork side-shift (+/- 100 mm)
- Fixed hook on plate
- 2 m jib, 2,000 kg capacity
- 4 m jib, 900 kg capacity
- 4 m jib with 900 kg capacity hydraulic winch
- Hydraulic winch 3000 kg

Enquiries from Europe:

Tel: +31 165 519 361
 Fax: +31 165 511 148
 Email: AWP-InfoEurope@terex.com

Offices:

France

Tel: +33 (0)2 37 26 09 99
 Fax: +33 (0)2 37 26 09 98

Germany

Tel: +49 (0)4221 491 810
 Fax: +49 (0)4221 491 820

Spain

Tel: +34 93 572 50 90
 Fax: +34 93 572 50 91

Scandinavia

Tel: +46 31 57 51 00
 Fax: +46 31 57 51 04

The Netherlands

Tel: +31 165 519 361
 Fax: +31 165 511 148

UK

The Maltings
 Wharf Road
 Grantham NG31 6BH
 UK
 Tel: +44 (0)1476 584333
 Fax: +44 (0)1476 584334

Middle East

Tel: +971 4 399 0381
 Fax: +971 4 399 0382
 Email: AWP.Infome@terex.com

Corporate Headquarters:

Genie United States

18340 NE 76th Street
 P.O. Box 97030
 Redmond, WA
 USA 98073-9730
 Tel: +1 425 881-1800
 Fax: +1 425 883-3475

Distributed By: